

CMA3000-A0X PWB Specification

1 Introduction

The purpose of CMA3000-A0X PWB is to enable fast prototyping.

CMA3000-A0X PWB includes

- CMA3000-A01 sensor soldered on PWB
- PWB design # VT129264 with pin headers and analog buffer circuitry
- Connectors and passive components

Refer to "CMA3000-A0X_product_family_datasheet_8282100" when using the CMA3000-A0X PWB.

2 CMA3000-A0X PWB

Detailed BOM of CMA3000-A0X PWB is presented in Table 1 below.

Table 1. BOM of CMA3000-A0X PWB.

Item	Qty	Ref	Part Name / type	Value
1	1	J1	8-pin through hole pin header, pitch 100 mils, pin size 0.63x0.63mm, length ~5.85mm (example mating part: Samtec: SSQ-107-01-S-S)	
2	1	J2	7-pin through hole pin header, pitch 100 mils, pin size 0.63x0.63mm, length ~5.85mm (example mating part: Samtec: SSQ-108-01-S-S)	
3	1	J3	3-pin through hole pin header, pitch 100 mils, pin size 0.63x0.63mm, length ~5.85mm (example mating part: Samtec: SSQ-103-01-S-S)	
4	2	C1, C5	capacitance, package size 0402	100nF
5	3	C2, C3, C4	CMA3000-A0X load capacitance C _L , package size 0402	100nF
6	1	IC1	CMA3000-A0X sensor	
7	1	IC2	TLV2765 (OpAmp), package TSSOP16	
8	5	R1-R5	Resistor, package size 0402	100kΩ
9	1		PWB (design #VT129624) Material FR4, thickness 1,6 mm, size 20 × 23 mm	

Detailed pictures of CMA3000-A0X PWB are presented in following pages:

- Circuit diagram
- PWB layout
- Assembly drawings

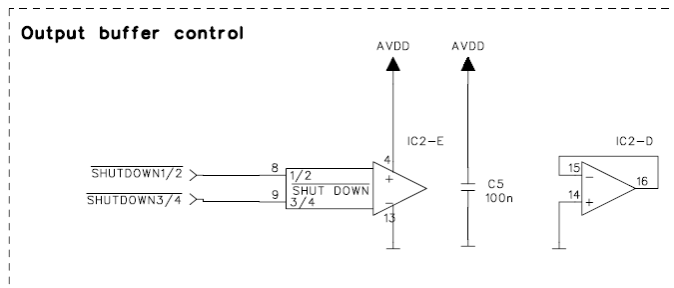
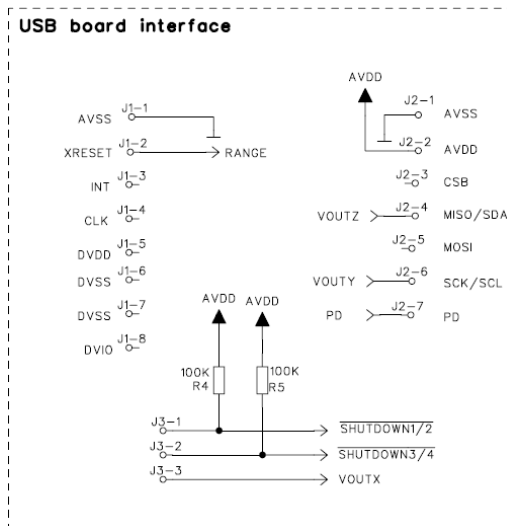
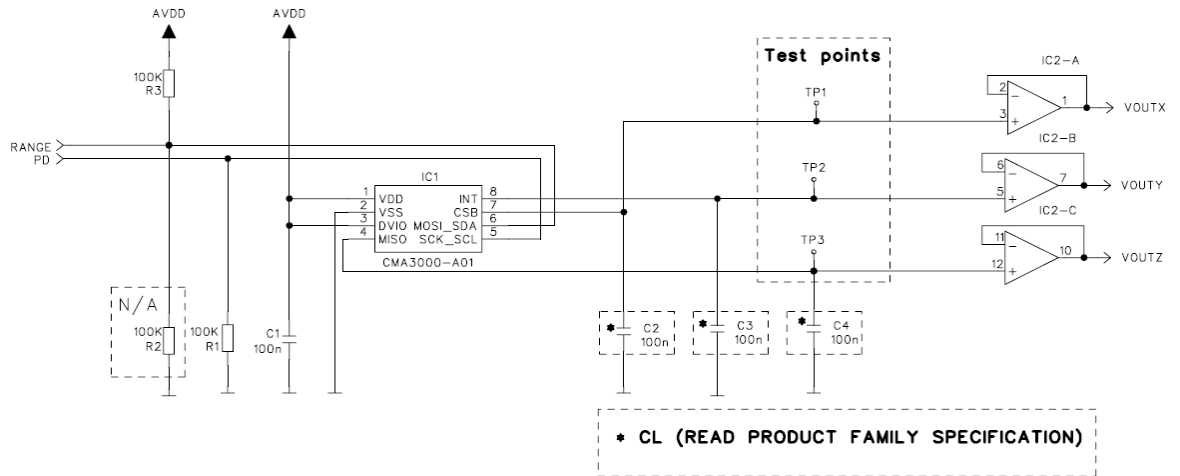


Figure 1. CMA3000-A0X PWB circuit diagram.

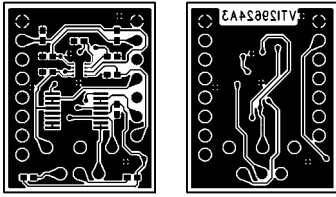


Figure 2. Layouts of CMA3000-A0X PWB.

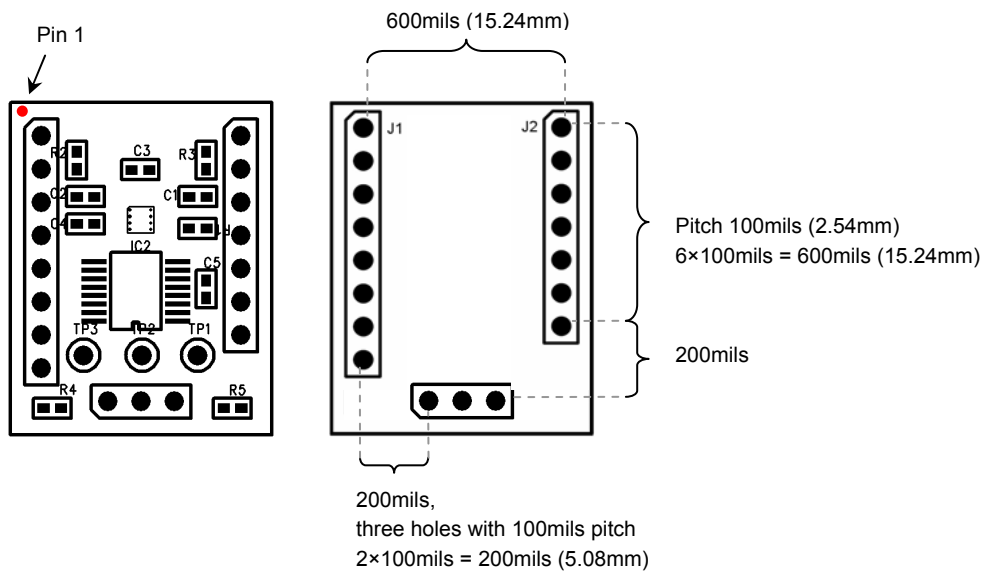


Figure 3. Assembly drawings for CMA3000-A0X PWB.

3 Document Revision History

Version	Date	Change Description
A.01	27.02.2008	Initial release
A.02	10.12.2008	Cover page picture updated
A.03	14.01.2009	Load capacitance values and package sizes in BOM updated

4 Contact Information

Finland**(head office)**

VTI Technologies Oy
P.O. Box 27
Myllynkivenkuja 6
FI-01621 Vantaa
Finland
Tel. +358 9 879 181
Fax +358 9 8791 8791
E-mail: sales@vti.fi

Germany

VTI Technologies Oy
Branch Office Frankfurt
Rennbahnstrasse 72-74
D-60528 Frankfurt am Main,
Germany
Tel. +49 69 6786 880
Fax +49 69 6786 8829
E-mail: sales.de@vti.fi

USA

VTI Technologies, Inc.
One Park Lane Blvd.
Suite 804 - East Tower
Dearborn, MI 48126
USA
Tel. +1 313 425 0850
Fax +1 313 425 0860
E-mail: sales@vtitechnologies.com

Japan

VTI Technologies Oy
Tokyo Office
Tokyo-to, Minato-ku 2-7-16
Bureau Toranomon 401
105-0001
Japan
Tel. +81 3 6277 6618
Fax +81 3 6277 6619
E-mail: sales.japan@vti.fi

China

VTI Technologies Shanghai Office
6th floor, Room 618
780 Cailun Lu
Pudong New Area
201203 Shanghai
P.R. China
Tel. +86 21 5132 0417
Fax +86 21 513 20 416
E-mail: sales.china@vti.fi

To find out your local sales
representative visit www.vti.fi